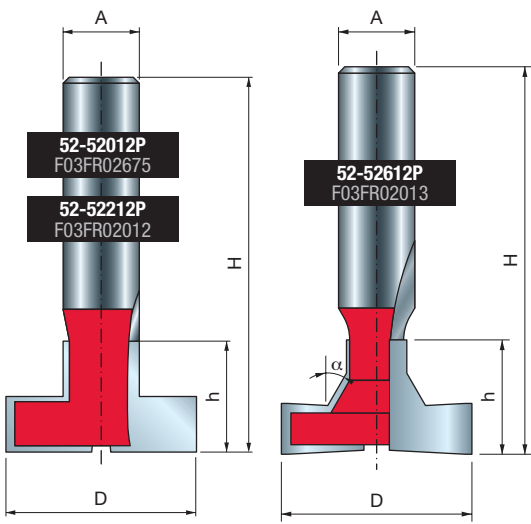


T - SLOTTING BITS

52-



Hand-held Routers

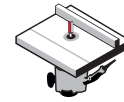
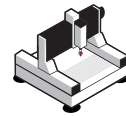


Table Routers



CNC Machines



Softwood



Hardwood



Plywood



Wood Based Panels



D mm	h mm	H mm	A mm	α	Z	Max RPM 1/min.	Freud Code	Art. No.
28	16	59	12	-	2	22.000	52-52012P	F03FR02675
28,58	20,6	63,5	12	-	2	18.000	52-52212P	F03FR02012
30	18	61	12	30°	2	18.000	52-52612P	F03FR02013

Machines:

Hand-held routers, table routers and CNC machines.

Materials:

Softwood, hardwood, plywood and wood based panels.

Applications:

Cut T shaped slots, used for many purposes.

