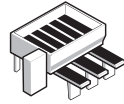


LSC

“Supercut” panel sizing saw blades with variable pitch



Horizontal Panel Sizing Machines



Chipboard



Laminated Chipboard



MDF



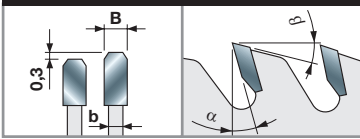
Laminated MDF



●●●● Ultimate ●● High ● Good



HW H00XA - Double triple chip tooth



Machines:

Horizontal panel sizing machines.

Materials:

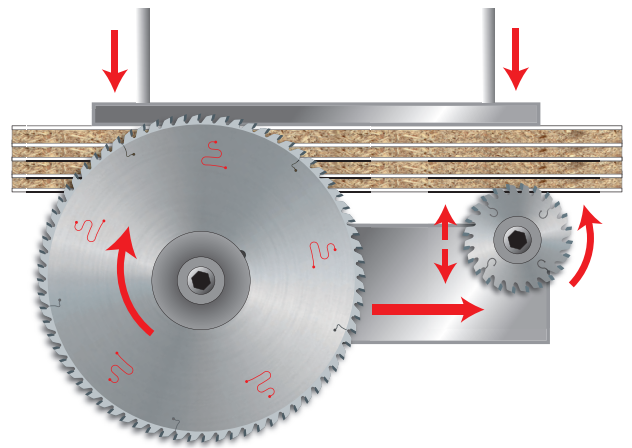
Wood based panels, laminated chipboard, MDF and laminated MDF.

Applications:

Panel sizing.

Technical information:

Saw blades suitable for sizing of single panels or small stacks with very good finishing, thanks to the double triple chip tooth grinding.



\*Dedicated laser marking.

D mm	B mm	b mm	d mm	Z	$\alpha$	$\beta$	NL	Machines	Freud Code	Art. No.
300	4,4	3,0	30	60	10°	15°	2/10/60	Panhans	LSC30001	F03FS06322
300	4,4	3,0	65	60	10°	15°	2/9/110	Selco	LSC30002	F03FS06325
300	4,4	3,0	75	60	10°	15°	-	Holzma	LSC30003	F03FS06326
300	4,4	3,0	80	60	10°	15°	2/14/110 + 4/9/100	SCM	LSC30004	F03FS06327
320	4,4	3,2	50	60	10°	15°	3/15/80 + 3/13/95	Giben	LSC32004	F03FS06328
320	4,4	3,2	65	60	10°	15°	2/9/110	Selco	LSC32003	F03FS06329
350	4,4	3,2	30	72	15°	15°	2/10/60	Panhans - Scheer	LSC35003	F03FS06305
350	4,4	3,2	50	72	15°	15°	4/13/80	Giben	LSC35006	F03FS06309
350	4,4	3,2	60	72	15°	15°	2/14/100	Holzma	LSC35004	F03FS06310
350	4,4	3,2	80	72	15°	15°	4/9/100 + 2/9/110 + 2/14/110	Gabbiani	LSC35005	F03FS06311
355	4,4	3,2	30	72	15°	15°	2/10/60	Panhans - SCM	LSC35504	F03FS06306
355	4,4	3,2	65	72	15°	15°	2/9/110	Selco	LSC35508BS*	F03FS07869
355	4,4	3,2	75	72	15°	15°	-	Giben	LSC35505	F03FS06307
360	4,4	3,2	65	72	15°	15°	2/9/110	Selco	LSC36002	F03FS06308
370	4,4	3,2	30	72	15°	15°	2/10/60	Schelling	LSC37001	F03FS06312
380	4,4	3,2	50	72	15°	15°	4/13/80	Giben	LSC38008	F03FS06343
380	4,4	3,2	60	72	15°	15°	2/14/100	Holzma	LSC38002	F03FS06313
380	4,4	3,2	80	72	15°	15°	4/9/100 + 2/9/110 + 2/14/110	Gabbiani	LSC38010	F03FS06314
380	4,8	3,5	60	72	15°	15°	2/14/100	Holzma	LSC38004	F03FS06332
400	4,4	3,2	30	72	15°	15°	2/10/60	Scheer	LSC40007	F03FS06315
400	4,4	3,2	65	72	15°	15°	2/9/110	Selco	LSC40016BS*	F03FS07870
400	4,4	3,2	75	72	15°	15°	4/15/105	Giben	LSC40008	F03FS06317
400	4,4	3,2	80	72	15°	15°	4/19/120 + 2/9/130	Selco	LSC40009	F03FS06319
400	4,4	3,2	80	72	15°	15°	4/9/100 + 2/9/110 + 2/14/110	Gabbiani	LSC40012	F03FS06320
430	4,4	3,2	75	72	15°	15°	4/15/105	Giben	LSC43008	F03FS06316
430	4,4	3,2	80	72	15°	15°	2/9/130 + 2/14/110 + 4/19/120	Selco - Gabbiani	LSC43009	F03FS06321
450	4,4	3,2	60	72	15°	15°	2/14/125	Holzma	LSC45008	F03FS06318
450	4,8	3,5	60	72	15°	15°	2/14/125	Holzma	LSC45017	F03FS06323
450	4,8	3,5	80	72	15°	15°	2/9/130 + 4/19/120	Selco	LSC45018	F03FS06324
520	4,8	3,5	30	72	18°	13°	2/13/94	Schelling	LSC52007	F03FS07879