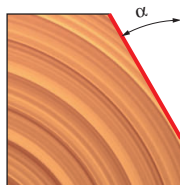
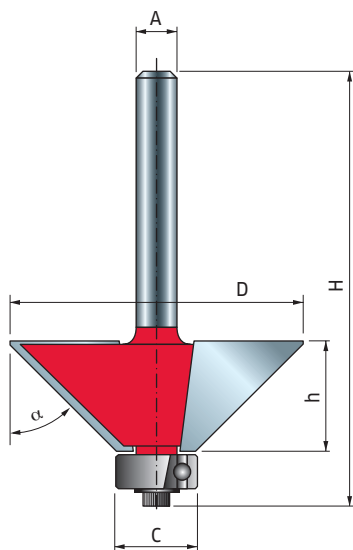


Fasenfräser Chamfer bits

Schneidet alle Verbundwerkstoffe, Sperrholz, Hartholz und Weichholz. Einsatz an handgeführten oder tischmontierten tragbaren Fräsmaschinen. Zum Abtragen großer Materialmengen in mehreren Durchläufen.

Cuts all composites, plywood, hardwood and softwood. Use on hand held or table mounted portable router machines. Use multiple passes when removing large quantities of material.

■ Ohne Lager
Without bearing



| D | h | H | A | C | α | Z | Max. Drehzahl Max RPM | Code Code | SAP SAP |
|-------|------|------|----|------|----------|---|--------------------------|------------------|------------|
| 18,15 | 12,7 | 54,9 | 6 | 12,7 | 15° | 2 | 24.000 | 40-10006P | F03FR01906 |
| 21,8 | 25 | 67,3 | 6 | 12,7 | 11,3° | 2 | 24.000 | 40-09406P | F03FR01900 |
| 23,6 | 12,7 | 54,9 | 6 | 12,7 | 25° | 2 | 24.000 | 40-10206P | F03FR01912 |
| 24 | 14 | 46 | 6 | ■ | 15° | 2 | 24.000 | 40-90006P | F03FR01927 |
| 24 | 12 | 44 | 6 | ■ | 30° | 2 | 24.000 | 40-90206P | F03FR01929 |
| 25 | 8 | 41 | 6 | ■ | 45° | 2 | 24.000 | 40-90406P | F03FR01931 |
| 25,4 | 25,4 | 73,7 | 6 | 12,7 | 15° | 2 | 24.000 | 40-09806P | F03FR01903 |
| 31 | 9,5 | 52 | 6 | 12,7 | 45° | 2 | 18.000 | 40-10506P | F03FR01917 |
| 30,1 | 22,5 | 64,7 | 6 | 12,7 | 22,5° | 2 | 18.000 | 40-10106P | F03FR01909 |
| 33 | 11,5 | 54 | 6 | 12,7 | 45° | 2 | 16.000 | 40-10406P | F03FR01914 |
| 33 | 19 | 61,6 | 6 | 12,7 | 30° | 2 | 16.000 | 40-20206P | F03FR01925 |
| 44 | 18,5 | 61 | 6 | 12,7 | 45° | 2 | 16.000 | 40-10606P | F03FR01919 |
| 18,15 | 12,7 | 54,9 | 8 | 12,7 | 15° | 2 | 24.000 | 40-10008P | F03FR01907 |
| 21,8 | 25 | 67,3 | 8 | 12,7 | 11,3° | 2 | 24.000 | 40-09408P | F03FR01901 |
| 23,6 | 12,7 | 54,9 | 8 | 12,7 | 25° | 2 | 24.000 | 40-10208P | F03FR01913 |
| 24 | 14 | 46 | 8 | ■ | 15° | 2 | 24.000 | 40-90008P | F03FR01928 |
| 24 | 12 | 44 | 8 | ■ | 30° | 2 | 24.000 | 40-90208P | F03FR01930 |
| 25 | 8 | 41 | 8 | ■ | 45° | 2 | 24.000 | 40-90408P | F03FR03255 |
| 25,4 | 25,4 | 73,7 | 8 | 12,7 | 15° | 2 | 24.000 | 40-09808P | F03FR01904 |
| 31 | 9,5 | 52 | 8 | 12,7 | 45° | 2 | 18.000 | 40-10508P | F03FR01918 |
| 30,1 | 22,5 | 64,7 | 8 | 12,7 | 22,5° | 2 | 18.000 | 40-10108P | F03FR01910 |
| 33 | 11,5 | 54 | 8 | 12,7 | 45° | 2 | 16.000 | 40-10408P | F03FR01915 |
| 33 | 19 | 61,6 | 8 | 12,7 | 30° | 2 | 16.000 | 40-20208P | F03FR01926 |
| 44 | 18,5 | 61 | 8 | 12,7 | 45° | 2 | 16.000 | 40-10608P | F03FR01920 |
| 21,8 | 25 | 73,3 | 12 | 12,7 | 11,3° | 2 | 24.000 | 40-09412P | F03FR01902 |
| 25,4 | 25,4 | 73,7 | 12 | 12,7 | 15° | 2 | 24.000 | 40-09812P | F03FR01905 |
| 30,1 | 22,5 | 70,7 | 12 | 12,7 | 22,5° | 2 | 18.000 | 40-10112P | F03FR01911 |
| 44 | 18,5 | 67 | 12 | 12,7 | 45° | 2 | 16.000 | 40-11412P | F03FR01922 |
| 62,1 | 25,5 | 74 | 12 | 12,7 | 45° | 2 | 12.000 | 40-11812P | F03FR01924 |