



programmable circular saw nova si 400ep



	nova si 400ep	nova si 400
Max. saw blade diameter with installed scoring unit	400	400
Max. saw blade projection from the table at 90°/45°	140/97	140/97
Saw blade rotating speed	3000/4000/5000	3700
Squaring stroke	3200 ÷ 3800	3200 ÷ 3800
Cutting width on rip fence	1000 ÷ 1500	1000 ÷ 1500
Three-phase motors power: starting from	7 (8) / 50 (60)	7 (8) / 50 (60)

Find the complete technical specification at page 16



manual circular saw nova si 400



Saw Unit
sturdy structure



Sliding Carriage
high cutting quality



Rip Fence
rapidity and accuracy



**SCM
Thundercut
Optimizer/
Sequencer App**

High construction quality for reliability and safe performance.



manual circular saw nova si 300

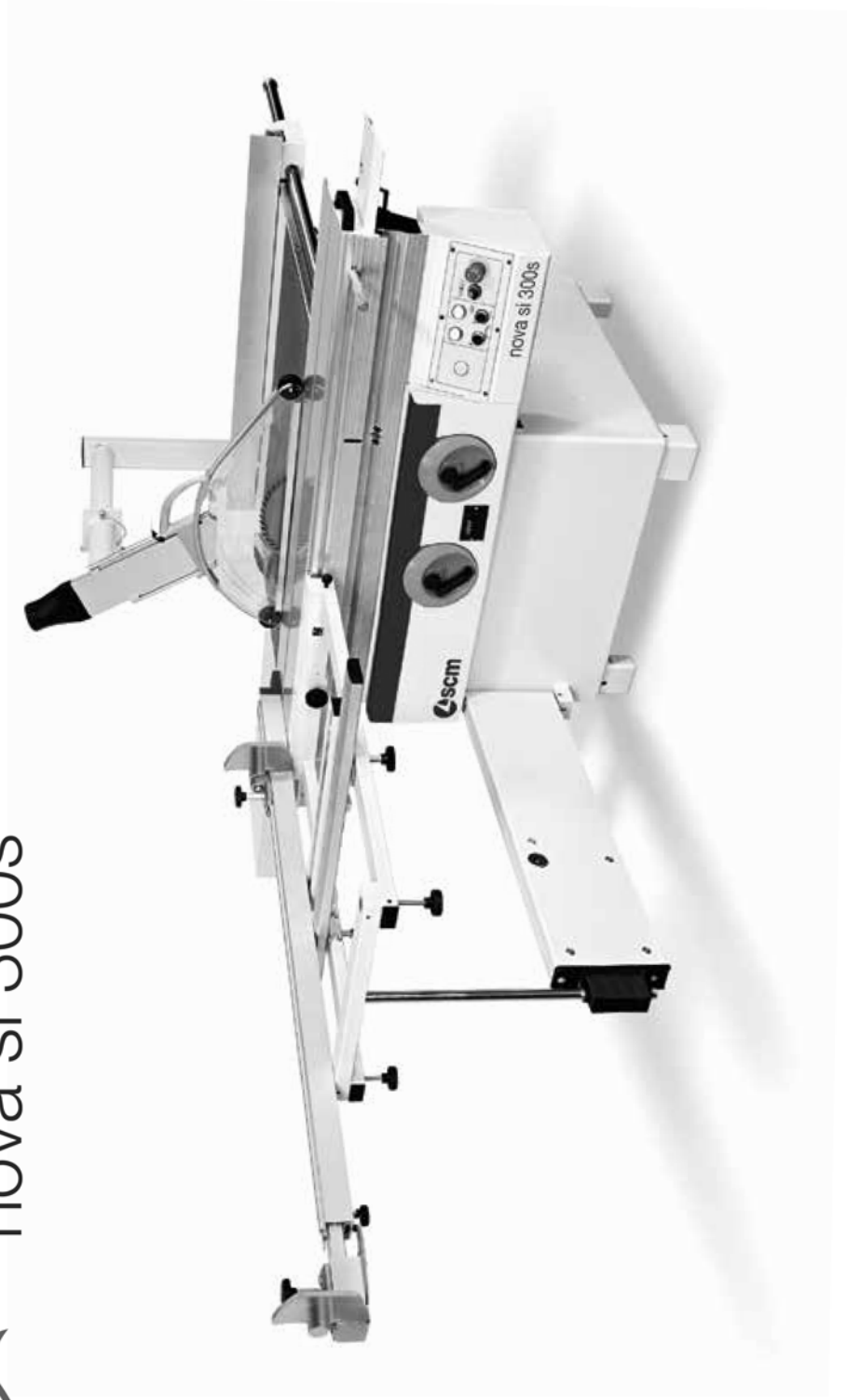


	nova si 300	nova si 300s
Max. saw blade diameter with installed scoring unit	315	315 ÷ 400
Max. saw blade projection from the table at 90°/45°	100/70	100/70 (with 315 mm blade) 140/97 (with 400 mm blade)
Saw blade rotating speed	4000	4000 (with 315 mm blade) 3700 (with 400 mm blade)
Squaring stroke	3200 ÷ 3800	1600
Cutting width on rip fence	1000 ÷ 1500	1000 ÷ 1500
Three-phase motors power: starting from	5 (6) / 50 (60)	5 (6) / 50 (60) (with 315 mm blade) 7 (8) / 50 (60) (with 400 mm blade)

Find the complete technical specification at page 16



manual circular saw nova si 300s



Saw Unit
sturdy structure



Sliding Carriage
high cutting quality



Rip Fence
rapidity and accuracy



Thundercut

SCM
Thundercut
Optimizer/
Sequencer App

Essential configuration with complete equipment to carry out professional machining.

circular saws operating groups

always user friendly and precise

Handwheels on the machine front

Ease-of-use in every day operation due to the dedicated gear box (**SCM solution**), fully protected from dust, that provides a smooth and direct transmission.

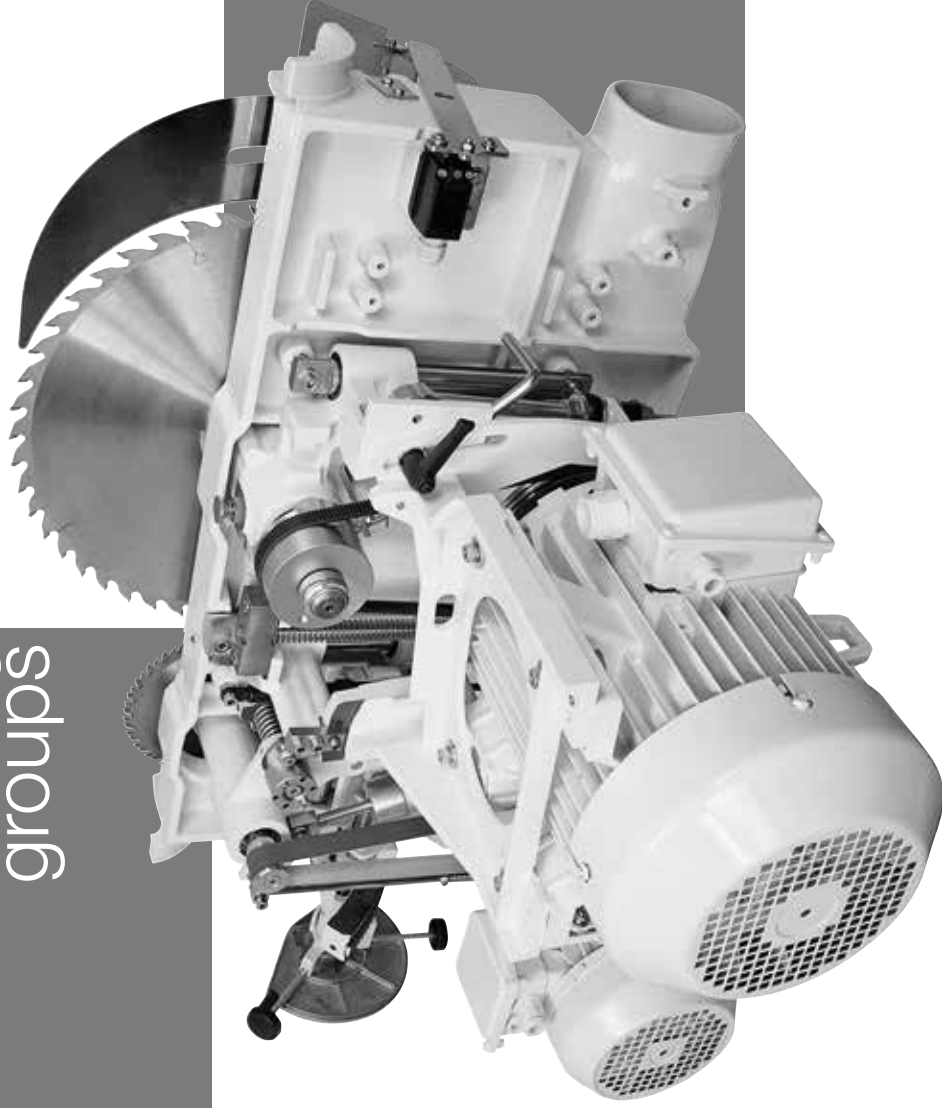
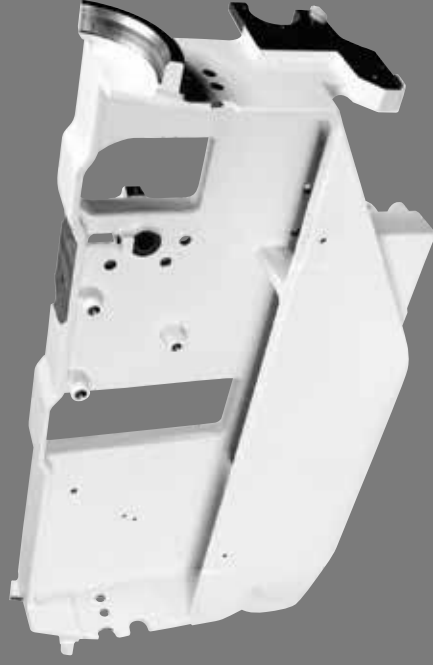
Every minimum hand-wheel movement corresponds to a precise blade adjustment.



perfect out

Saw unit

Maximum torsional rigidity and the total absence of vibration through the closed loop structure of the saw unit which ensures **perfect alignment of the blades** during tilted and difficult cuts.



sturdy structure

Saw Unit

The saw blade lifting is carried out by a strong cast-iron structure with sliding on ground round slideways which guarantee the **best accuracy**.

The unit tilting is carried out on cast-iron rotation sectors in a crescent shape to ensure reliability over time.

simple and effective

Scoring unit adjustment

Vertical and horizontal adjustments are carried out by user-friendly mechanical levers that operate directly making **precise and smooth movements**. The useful mechanical stops allow immediately finding of the set position. The positioning of the controls allows their use without moving from the front of the machine.



maximum cut quality guaranteed over time

Sliding carriage

The carriage will never require adjustment due to its closed reticular geometry with steel guides using an **exclusive method of mechanical fixing**.



reliability and technology without comparison
10 years of SCM guarantee for the carriage sliding system.



smooth, rapid and precise positioning

Rip fence

Sliding of the rip support on round bar with micrometric adjustment. The support can be also equipped with digital readout for fence position with detecting system on magnetic band (option). The fence can be easily excluded from the working area when it isn't used.



optimal support

Squaring frame and fence

Panel loading is easy on the large squaring frame with an idle roller at the end and the mobile cross beams offer an **optimal support** also to smaller panels. The telescopic squaring fence with the inclined metric scale and two reversible stops can be used to square panels measuring 3200x3800 mm and for tilted cuts at up to 45° on both sides of the frame.

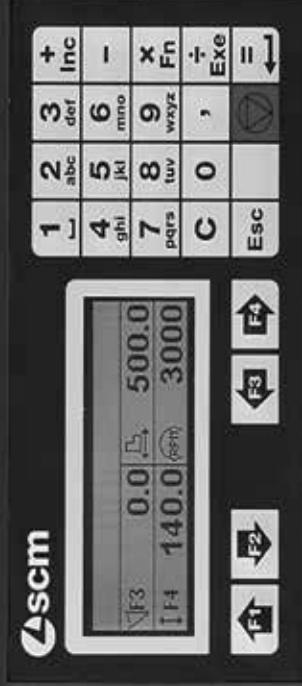
nova si 400ep electronic controls

the practical advantage for automatic control of the main positions

Ready

The **programming** of the work becomes **simple and effective** with the electronic control with a 4" LCD display.

- Working mode: manual, semi-automatic and automatic with a memory capacity of up to 99 programs
- Tool data setting with automatic height adjustment
- Calculator and hour counter



speed and accuracy

Motorised programmable rip fence mounted on a recirculating ball screw mechanism with sliding on linear guides.

Only for Ready 3 UP Plus version



practicality and safety
Motorized programmable rip fence with steel cable and sliding on sturdy round steel bar.

Position readout on magnetic band.

Only for Ready 3 version



Saw unit lifting



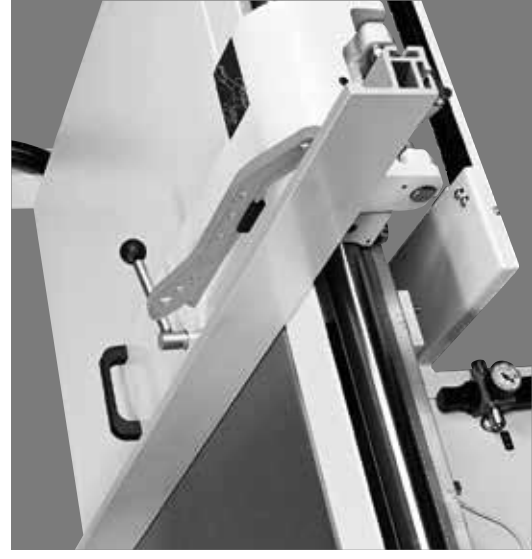
Saw unit tilting



Programmable rip fence (option)



Blade speed readout



circular saws main optional devices

Tablet holder on the sliding carriage
Compatible with tablets from 8" to 11".



Adjustable tablet holder positioned on the mobile control panel
Compatible with tablets from 7" to 13".
It is equipped with USB port for power supply positioned on the mobile control panel.

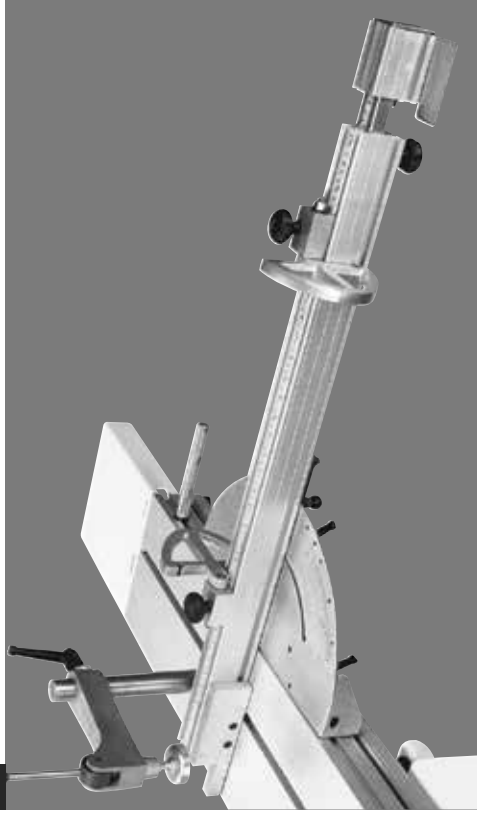


Rip fence unit

The exclusive referencing system for the first trim cut allows the setting of trim quantity to be cut for every side **without any test cuts**.



a



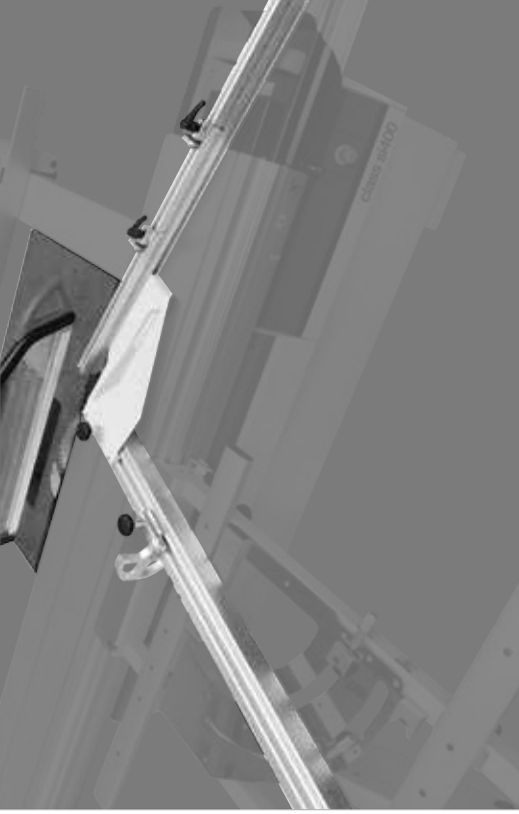
b



Angular cutting devices

Available for the following versions
a) traditional
b) with automatic self-adjustment of the stops position in respect of the blade

circular saws main optional devices



with automatic self-adjustment of stops position in respect of the blade and rule tilting angle. Furthermore, thanks to the dedicated frame structure, it is possible to carry out **tilted cuts** **keeping the squaring rule comfortably within the operator's reach**, both in acute cuts and in obtuse ones, without renouncing to a valid support of the piece.

Fence for complementary cutting

Device to be applied directly on the squaring rule that allows to quickly carry out cuts with angles complementary to the rule one.



Mechanical preset for "DADO" machining

Possibility of using a tool (not included) to replace the main blade, with 203 mm maximum diameter and 20 mm maximum thickness.



Electronic readouts on the squaring stops

The stops can be easily read even from distance.





Expandable scoring blade

Manually expandable with variable thickness from 2,8 to 3,6 mm.

Blade diameter: 120 mm.



maximum practicality

Pushbuttons integrated in the sliding carriage
The possibility to start or stop the blades motors from the pushbuttons located at the ends of the carriage **considerably helps when machining large dimensioned panels.**



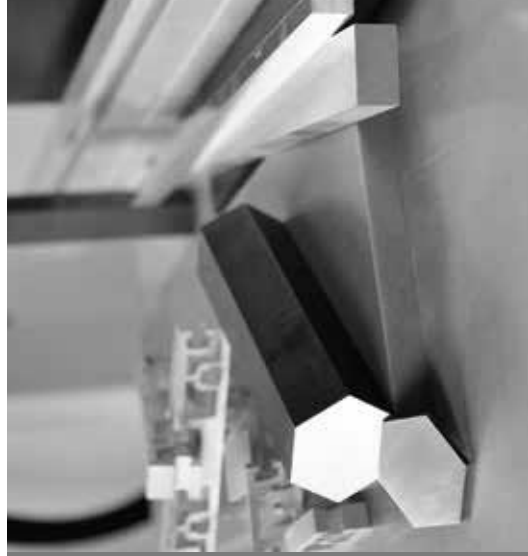
"LED indicating scoring unit in operation" device

When the scoring blade is working, the high efficiency LEDs clearly indicate the danger area, making the machine safer than ever.



Advanced materials machining

PVC and other plastic materials. Nylon, polycarbonate and other synthetic materials. Corian and other composite materials. Aluminium, brass and other light metals.

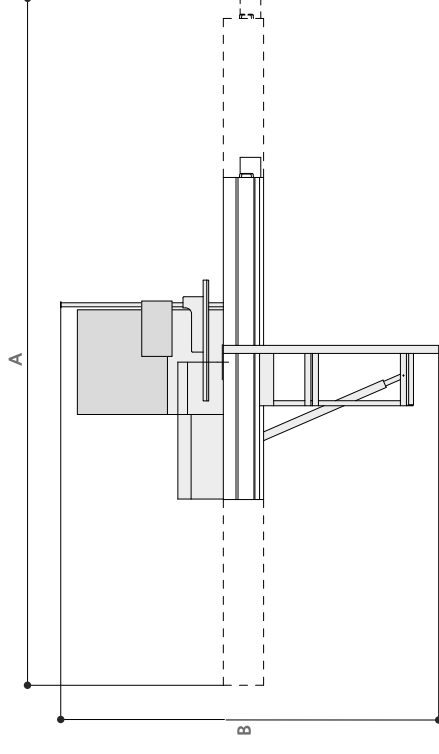


Device for the blade micro-lubrication

Compulsory for the machining of light alloys, extremely useful with particular plastic materials.

circular saws

technical data



- S** Standard
- O** Option

TECHNICAL DATA	nova si 400ep	nova si 400	nova si 300	nova si 300s
Cast-iron saw table dimensions	1040 x 630	1040 x 630	900 x 550	900 x 550
Blades tilting	90° ÷ 45°	90° ÷ 45°	90° ÷ 45°	90° ÷ 45°
Max. saw blade diameter with installed scoring unit	400	400	315	315 ÷ 400
Max. saw blade projection from the table at 90°/45°	140/70	140/97	100/97	100/70 (with 315 mm blade) 140/97 (with 400 mm blade)
Saw blade rotating speed	3000/4000/5000	3700	4000	4000 (with 315 mm blade) 3700 (with 400 mm blade)
Squaring stroke	3200 ÷ 3800	3200 ÷ 3800	3200 ÷ 3800	1600
Cutting width on rip fence	1000 ÷ 1500	1000 ÷ 1500	1000 ÷ 1500	1000 ÷ 1500
other technical features				
Three-phase motors 5 kW (6,6 hp) 50 Hz - 6 kW (8 hp) 60 Hz	-	-	S	S
Three-phase motors 7 kW (9,5 hp) 50 Hz - 8 kW (11 hp) 60 Hz	S	S	O	O
Three-phase motors 9 kW (12 hp) 50 Hz - 11 kW (15 hp) 60 Hz	O	O	-	-
Three-phase motors 14 kW (19 hp) 50 Hz - 14 kW (19 hp) 60 Hz	-	-	-	-
Exhaus hoods diameter:				
- at the base	120	120	120	120
- on overhead protection	80	80	80	80
- on riving knife	-	60	60	60

OVERALL DIMENSIONS					
		nova si 400ep	nova si 400	nova si 300	nova si 300s
A with 1600 mm carriage	mm	-	-	-	3760
A with 3200 mm carriage	mm	7100	7100	7100	-
A with 3800 mm carriage	mm	8140	8140	8140	-
B with 1000 mm cutting width on rip fence	mm	4870	4870	4870	3115
B with 1270 mm cutting width on rip fence	mm	5155	5155	5155	3400
B with 1500 mm cutting width on rip fence	mm	5370	5370	5370	3615

MAIN OPTIONAL DEVICES					
	nova si 400ep	nova si 400	nova si 300	nova si 300s	
"Ready 3" version	0	-	-	-	-
"Ready 3 UP" version	0	-	-	-	-
"Ready 3 UP Plus" version	0	-	-	-	-
"CUT 140" version	-	-	-	-	0
"SCM Thundercut" Optimizer/Sequencer App	S	S	S	S	S
Expandable scoring blade	0	0	0	0	0
Pushbuttons integrated in the sliding carriage	0	0	0	0	-
Squaring fence with LCD readouts for stops position	0	0	0	0	-
Fence for angular cutting on the sliding carriage	0	0	0	0	0
Fence for angular cutting with self-adjustment	0	0	0	0	0
Squaring frame with "Compex" device	0	0	0	0	-
Fence for complementary cutting	0	0	0	0	-
Fence for rip cutting on the sliding carriage	0	0	0	0	0
Electronic readout of parallel fence position	0	0	0	0	0
Adjustable tablet holder positioned on the mobile control panel	0	-	-	-	-
Tablet holder on the sliding carriage	0	0	0	0	0
"LED indicating scoring unit in operation" device	0	-	-	-	-
"DADO" machining	0	0	0	0	0
Machine configuration for advanced materials machining	0	0	0	0	0
Device for the blade micro-lubrication for the machining of plastic materials and light alloy	0	0	0	0	0
Overhead blades protection	S	S*	0	0	0

* Standard for CE and USA-Canada versions; Option for NO CE version



programmable circular saw nova si x



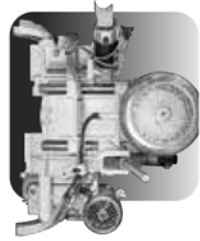
±46° double tilting blade.

	nova si x	nova si 40	nova si 30
Max. saw blade diameter with installed scoring unit	400	400	315
Max. saw blade projection from the table at 90°/±45°/-45°	136/97/60	136/97/-	90/70/-
Saw blade rotating speed	4000	4000	4000
Squaring stroke	2600 ÷ 3200	2600 ÷ 3200	2600 ÷ 3200
Cutting width on rip fence	1270	1270	1270
Three-phase motors power: starting from	kW/Hz	5	5

Find the complete technical specification at page 26



manual circular saws nova si 40 nova si 30



Saw Unit
sturdy structure



Sliding Carriage
unrivalled cutting finishing



Rip Fence
rapidity and accuracy



Thundercut

SCM
Thundercut
Optimizer/
Sequencer App

Professional circular saws for uncompromising quality.

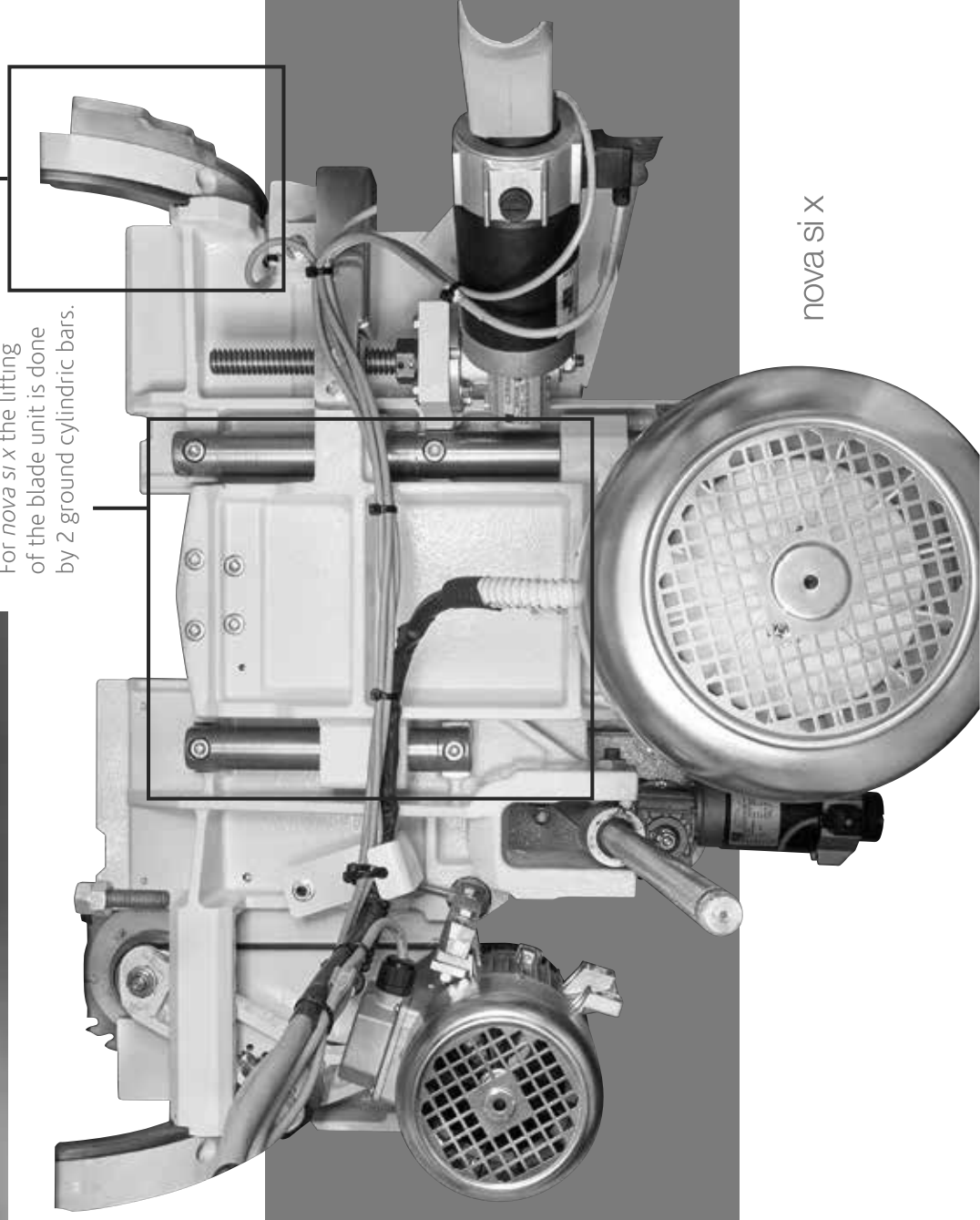
circular saws operating groups



double tilting at
everybody's reach

The $\pm 46^\circ$ tilting of the
unit is done by 2 wide
semi-circular fences.

For *nova si x* the lifting
of the blade unit is done
by 2 ground cylindrical bars.



sturdy structure

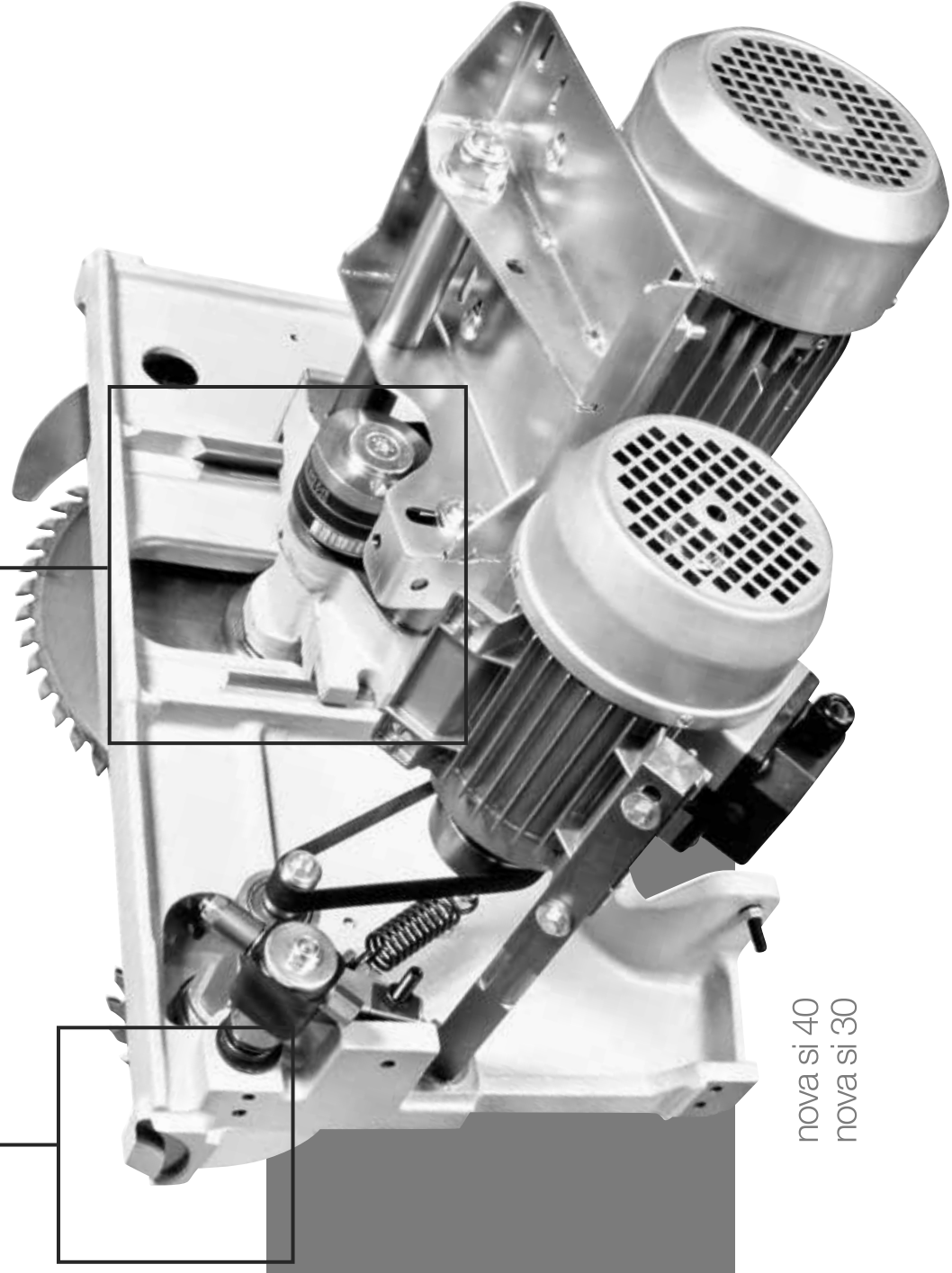
Saw Unit

Saw units with a stiff cast-iron structure which can accommodate a blade of 400 mm diameter (315 mm for *nova si 30*) **with scoring blade installed**. They ensure a perfect and easy cutting of veneer panels and solid wood material with very high thickness. The saw blade uses 100% of the motor power, thanks to the scoring blade with an independent motor as standard.

nova si x

The rotation fulcrums of the saw unit have a 120 mm diameter and stand on steady crescent shaped rests that separate it from the base: a rigid reliable solution.

For *nova si 40* and *nova si 30*, the lifting of the blade unit is done by a robust cast iron structure with dovetail system.



nova si 40
nova si 30



The scoring blade is adjustable from the outside without tools and allows fast and accurate positioning with no play.

circular saws operating groups



Two positions overhead blade protection, for totally safe machining.
(nova si x)

smooth, rapid and precise positioning

Rip fence

Sliding of the rip fence support on round bar with micrometric adjustment.

The support can be also equipped with digital readout for fence position with detecting system on magnetic band (option). The fence can be easily excluded from the working area when it isn't used.

unrivalled cutting finishing

Sliding Carriage

Optimal support also to larger pieces, with the **new sliding table, 360 mm wide**.



Exceptional accuracy and smoothness to secure the guides it is not used glue, since the thickness could affect sliding. They are secured with a **procedure of aluminum riveting**.

reliability and technology without comparison
10 years of SCM guarantee for the carriage sliding system.



immediate control

Squaring frame and fence

Panel loading is easy on the large squaring frame with an idle roller at the end.

The telescopic squaring fence with the inclined metric scale and two reversible stops

can be used to square panels measuring 3200x3200 mm and for tilted cuts at up to 45° on both sides of the frame.



circular saws optional electronic controls

simple and quick

Programmed movement

The "Ready" control manages the powered and programmed movement of the saw blade unit increasing productivity and working quality. (standard for nova si x)



Ready 3 / Ready 3 UP

Automatic positioning of the parallel fence, from "Ready" control (3 axes). Programmed or manual fence movement with a hold-down drive for the maximum versatility.

In addition, the Ready 3 UP version has the control on the mobile control panel.



Powered handling of the operating groups with digital readouts
For the best accuracy and easy to use.

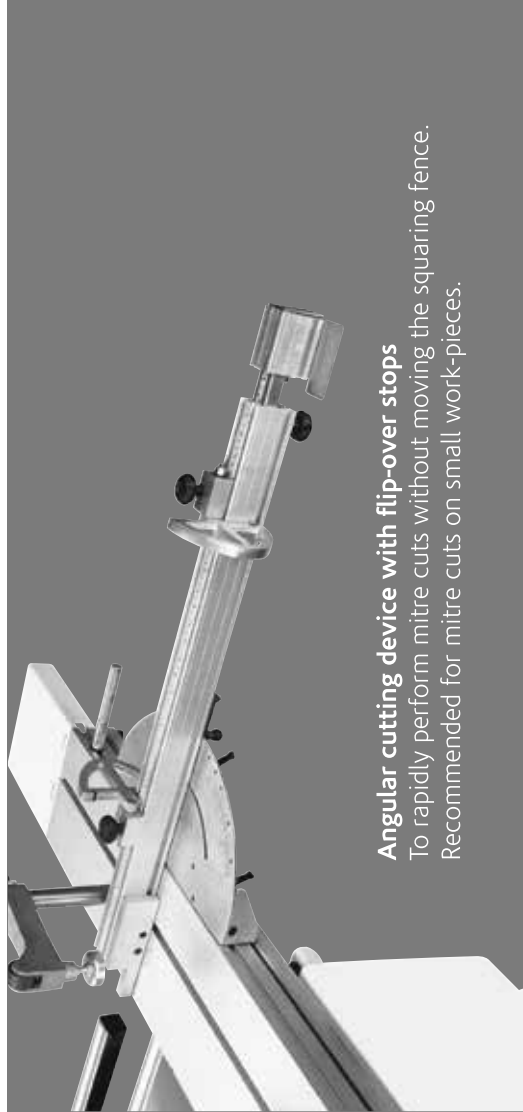
Pushbuttons integrated in the sliding carriage
maximum practicality

The possibility to start or stop the blades motors from the pushbuttons located at the ends of the carriage **considerably helps when machining large dimensioned panels.**



circular saws main optional devices

Squaring frame with "Compex" device with automatic self-adjustment of stops position in respect of the blade and rule tilting angle. Furthermore, thanks to the dedicated frame structure, it is possible to carry out **tilted cuts keeping the squaring rule comfortably within the operator's reach**, both in acute cuts and in obtuse ones, without renouncing to a valid support of the piece.



Angular cutting device with flip-over stops

To rapidly perform mitre cuts without moving the squaring fence. Recommended for mitre cuts on small work-pieces.



Electronic readouts on the squaring stops
The stops can be easily read even from distance.



Pre-set angular cutting device directly positioned on squaring frame

To find rapidly the most common angles with the squaring fence. Useful for large work-pieces.



Additional table on the sliding carriage
For the support of large dimensioned panels.



Digital readout for the fence position on the parallel fence

It allows precise positioning with the magnetic strip sensor.



Mechanical preset for "DADO" machining

Possibility of using a tool (not included) to replace the main blade.



Expandable scoring blade

Manually expandable with variable thickness:
- from 3,5 to 4,5 mm (blade diameter: 160 mm)
nova si x
- from 2,8 to 3,6 mm (blade diameter: 120 mm)
nova si 40 and *nova si 30*



Device for the blade micro-lubrication

Compulsory for the machining of light alloys, extremely useful with particular plastic materials.



Tablet holder on the sliding carriage

Compatible with tablets from 8" to 11".

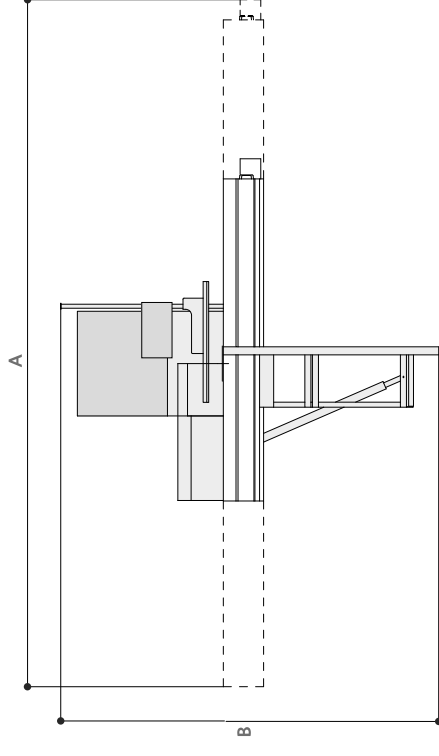


Adjustable tablet holder positioned on the mobile control panel

Compatible with tablets from 7" to 13". It is equipped with USB port for power supply positioned on the mobile control panel.

circular saws technical data

S Standard
O Option



TECHNICAL DATA

	nova si x	nova si 40	nova si 30
Cast-iron saw table dimensions	1000 x 685	940 x 560	940 x 560
Blades tilting	-46° ÷ +46°	90° ÷ 45°	90° ÷ 45°
Max. saw blade diameter with installed scoring unit	400	400	315
Max. saw blade projection from the table at 90°/45°/-45°	136/97/60	136/97/-	90/70/-
Saw blade rotating speed	4000	4000	4000
Squaring stroke	2600 ÷ 3200	2600 ÷ 3200	2600 ÷ 3200
Cutting width on rip fence	1270	1270	1270
other technical features			
Three-phase motors 5 kW (6,6 hp) 50 Hz - 6 kW (8 hp) 60 Hz	-	S	S
Three-phase motors 7 kW (9,5 hp) 50 Hz - 8 kW (11 hp) 60 Hz	S	O	O
Exhaus hoods diameter:			
- at the base	120	120	120
- on overhead protection	80	80	80
- on riving knife	-	60	60

OVERALL DIMENSIONS		nova si x	nova si 40	nova si 30
A with 2600 mm carriage	mm	5860	5860	5860
A with 3200 mm carriage	mm	7060	7060	7060
B with manual rip fence	mm	3650	3650	3650
B with automatic rip fence	mm	4820	4820	4820

	nova si x	nova si 40	nova si 30
MAIN OPTIONAL DEVICES			
"Ready 3" version / Programmed parallel fence	0	0	-
"Ready 3 UP" version	0	0	-
"SCM Thundercut" Optimizer/Sequencer App	S	S	S
Powered handling of the operating groups with digital readouts	-	0	0
Pushbuttons integrated in the sliding carriage	0	0	0
N.2 sawblades speeds (3500/5000 rpm)	0	0	-
Electronic readouts on the squaring stops	0	0	0
Angular cutting device with flip-over stops	0	0	0
Pre-set angular cutting device directly positioned on squaring frame	0	0	0
Squaring frame with "Compex" device	0	0	0
Additional table on the sliding carriage	0	0	0
Digital readout for the fence position on the parallel fence	0	0	0
Adjustable tablet holder positioned on the mobile control panel	0	0	-
Tablet holder on the sliding carriage	0	0	0
Device for the blade micro-lubrication for the machining of plastic materials and light alloy	-	0	-
"DADO" machining	0	0	0**
Overhead blades protection	S	0*	0
* Standard for CE and USA-Canada versions; Option for NO CE version			
** Not available for CE version			