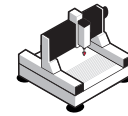
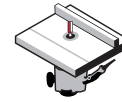


DOUBLE FLUTE STRAIGHT BITS

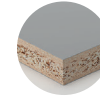
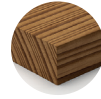
04- 12-
MM- R006M



Hand-held Routers

Table Routers

CNC Machines

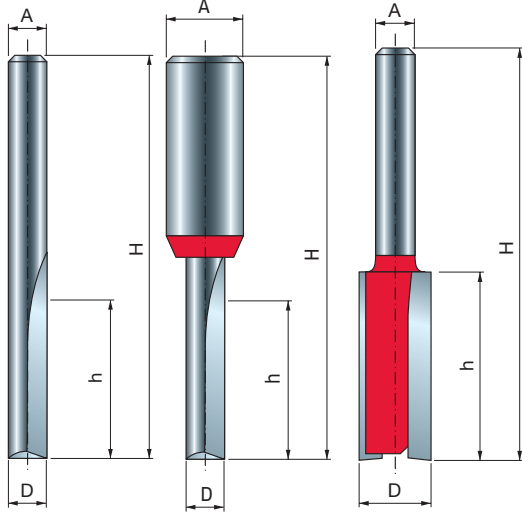


Softwood

Hardwood

Plywood

Wood Based Panels



Type A
Solid Carbide
bits

Type B
Solid Carbide
cutting parts

Type C
HW tipped bits



Machines:

Hand-held routers, table routers and CNC machines.

Materials:

Softwood, hardwood, plywood and wood based panels.

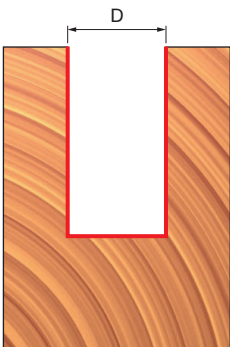
Applications:

Type A: Small cutting diameter solid Carbide double flute straight bits.

Ideal for grooving, edge-routing, plunge cuts and other general purpose routing tasks.

Type B: Small cutting diameter double flute straight bits, steel shank with integrated solid Carbide cutting part.

Type C: Ideal for grooving, edge-routing and other general purpose routing tasks.



Type A - Solid Carbide bits

D mm	h mm	H mm	A mm	A inch	Z	Max RPM 1/min.	Freud Code	Art. No.
2	6,3	44,5	6		2	24.000	04-09706P	F03FR01413
3	9,5	44,5	6		2	24.000	04-09906P	F03FR01415
3	11	50,8	6		2	24.000	04-10006P	F03FR01418
3	12	50	6		2	24.000	R006M03006	F03FR01355
4	12	50,3	6		2	24.000	R006M05006	F03FR01356
4	12	50,8	6		2	24.000	04-10206P	F03FR01423
4	15,8	50,7	6		2	24.000	04-10106P	F03FR01420
5	12	50,3	6		2	24.000	R006M07006	F03FR01357
5	12,7	50,8	6		2	24.000	04-11306P	F03FR01437
5	16	51	6		2	24.000	R006M07406	F03FR01358
6	16	50,8	6		2	24.000	04-11406P	F03FR01440
6	16	57	6		2	24.000	R006M09406	F03FR01359
6	25	63	6		2	24.000	R006M10206	F03FR01360
6	25,4	76,2	6		2	24.000	04-11006P	F03FR01431
3	9,5	44,5	8		2	24.000	04-09908P	F03FR01416
4	15,8	50,7	8		2	24.000	04-10108P	F03FR01421
5	12,7	50,8	8		2	24.000	04-11308P	F03FR01438
6	16	50,8	8		2	24.000	04-11408P	F03FR01441
6	25,4	76,2	8		2	24.000	04-11008P	F03FR01432
1,58	6,4	44,5		1/4	2	24.000	04-09625P	F03FR01412
2	4	38,1		1/4	2	24.000	04-50225P	F03FR01502
2,38	9,5	38,1		1/4	2	24.000	04-09825P	F03FR01414
3	8	44,5		1/4	2	24.000	04-50825P	F03FR01503
3,18	9,5	44,5		1/4	2	24.000	04-10025P	F03FR01419
4	15,77	50,8		1/4	2	24.000	04-10125P	F03FR01422
4,76	12,7	49,2		1/4	2	24.000	04-10225P	F03FR01424
5	11,9	50,8		1/4	2	24.000	04-51225P	F03FR01504
6,35	12,7	50,5		1/4	2	24.000	04-10425P	F03FR01426
6,35	15,9	50,8		1/4	2	24.000	04-10525P	F03FR01427
6,35	19	57,1		1/4	2	24.000	04-10625P	F03FR01428
6,35	22,2	57,1		1/4	2	24.000	04-10725P	F03FR01429
6,35	25,4	63,5		1/4	2	24.000	04-10825P	F03FR01430
6,35	25,4	76,2		1/4	2	24.000	04-11025P	F03FR01433
6,35	19	61		1/2	2	24.000	12-10050P	F03FR01521
6,35	23	73		1/2	2	24.000	12-10250P	F03FR01522

Type B - Solid Carbide cutting parts

D mm	h mm	H mm	A mm	Z	Max RPM 1/min.	Freud Code	Art. No.
3	8	58	12	2	24.000	12-09612P	F03FR01517
4	10	58	12	2	24.000	12-09712P	F03FR01518
5	12,7	57	12	2	24.000	12-09812P	F03FR01519
6	19	64	12	2	24.000	12-09912P	F03FR01520