



 Mandrini svasatori portapunte

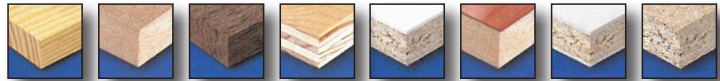
 HW Bohraufnahme mit Versenker

 Mandrin Fraisoir porte-mèche

 Адаптеры для сверел с зенкером

P094

HW Countersinks chucks



Ottenuti da acciaio di elevata resistenza meccanica • 2 taglianti in HW • Vite per fissaggio punta a forare • Attacco rettificato • Da montare accoppiate con punte art. P104 – P105 – P107 • Indicati per la svasatura di fori su legno, suoi derivati, laminati e simili

Obtained from steel with a high mechanical resistance • 2 Carbide teeth • Screw for fixing twist drills • Ground shank • Use with drills item nr. P104 - P105 - P107 • Indicated to make holes on wood, wood composites, laminated panels and similar.

TAGLIO / SEZIONATURA
SAWING

DIAMANTE
DIAMOND

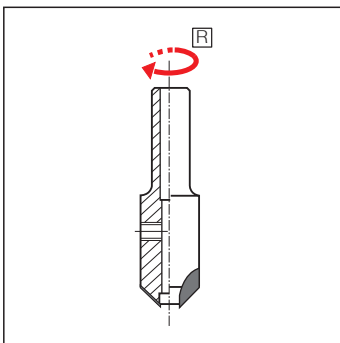
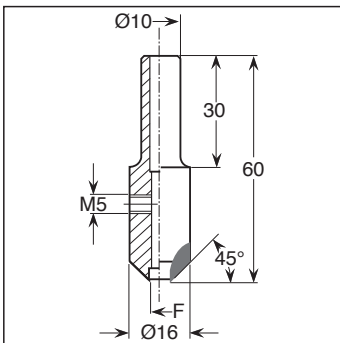
FRESATURA
CUTTING

PANTOGRAFATURA
ROUTING

FORATURA
BORING

MANDRINI / ATTACCHI
CHUCKS & CLAMPING SYSTEM

RICAMBI E LAVORAZIONI SUPP.
SPARE PARTS & ADD. WORKING



Z2

● = Ready in stock ■ = Delivery time 20 working days △ = On request

F	Left Code	Right Code
3	● P094M30AAAAL	● P094M30AAAAR
3,5	● P094M35AAAAL	● P094M35AAAAR
4	● P094M40AAAAL	● P094M40AAAAR
4,5	● P094M45AAAAL	● P094M45AAAAR
5	● P094M50AAAAL	● P094M50AAAAR
5,5	● P094M55AAAAL	● P094M55AAAAR
6	● P094M60AAAAL	● P094M60AAAAR
Spec.	P094M99L	P094M99R

■ Utensili non a magazzino, quantità minima d'ordine: **20 pezzi**.
Tools not ready in stock minimum order quantity: **20 pieces**.

SPARE PARTS

Type	Dimensions	Code
Screw	M5X5	● WVGR5