

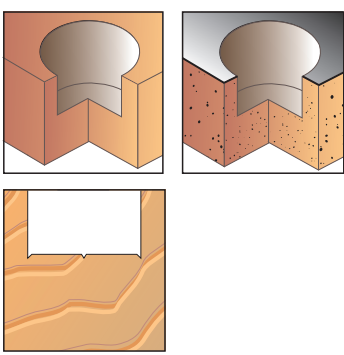
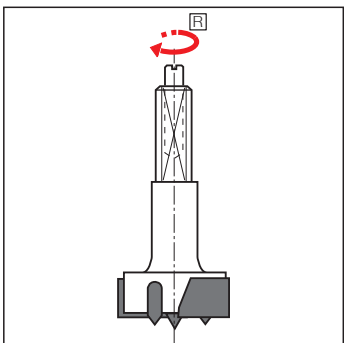
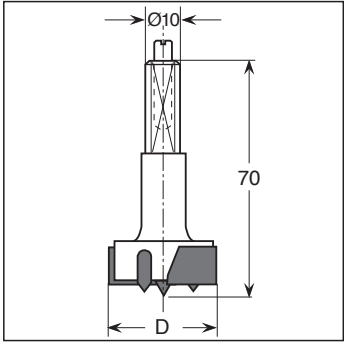


P136 HW Cylinder boring bits



Ottenute da acciaio di elevata resistenza meccanica • 2 taglienti • 2 rasanti • Centrico in HW • Attacco rettificato con piano per fissaggio e vite di regolazione • Rivestite con resina fluorocarbonica PTFE per una migliore evacuazione del truciolo • Colore nero per punte rotazione destra • Colore rosso per punte rotazione sinistra • Da montare su macchine foratrici con l'impiego di mandrini o adattatori • Per eseguire sedi per cerniere o fori ciechi su legno, suoi derivati, laminati e simili

Obtained from steel with a high mechanical resistance • 2 teeth • 2 spurs • Centre point in HW • Ground shank with flat and screw • Covered by a fluorine-carbonic resin for a better chip removal • Black colour for right rotation drills • Red colour for left rotation drills • Use on drilling machines with chucks or adapters • Indicated to make holes for concealed hinges on solid wood, wood composites, laminated panels and similar.



Z2+2 ● = Ready in stock ■ = Delivery time 20 working days △ = On request

D	Left Code	Right Code
14	● P136M14AAAAL	● P136M14AAAAR
15	● P136M15AAAAL	● P136M15AAAAR
16	● P136M16AAAAL	● P136M16AAAAR
18	● P136M18AAAAL	● P136M18AAAAR
20	● P136M20AAAAL	● P136M20AAAAR
22	● P136M22AAAAL	● P136M22AAAAR
25	● P136M25AAAAL	● P136M25AAAAR
26	● P136M26AAAAL	● P136M26AAAAR
30	● P136M30AAAAL	● P136M30AAAAR
35	● P136M35AAAAL	● P136M35AAAAR
38	● P136M38AAAAL	● P136M38AAAAR
40	● P136M40AAAAL	● P136M40AAAAR

Spec.	P136M99L	P136M99R
-------	----------	----------

■ Utensili non a magazzino, quantità minima d'ordine: **10 pezzi**.
Tools not ready in stock minimum order quantity: **10 pieces**.

SPARE PARTS

Type	Dimensions	Code
Screw	M5X10	● WV510
Screw	M5X17	● WV072

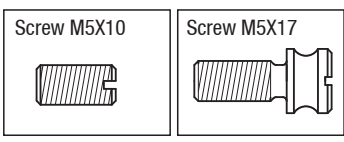
Chipboard

RPM	Feed Speed
3000	1 m/min
4000	1,5 m/min
5000	1,8 m/min
6000	2,0 m/min

MDF

RPM	Feed Speed
3000	0,7 m/min
4000	1,0 m/min
5000	1,2 m/min
6000	1,6 m/min

The data are indicative only, MW is not responsible for any incorrect application



TAGLIO / SEZIONATURA
SAWING

DIAMANTE
DIAMOND

FRESATURA
CUTTING

PANTOGRAFATURA
ROUTING

FORATURA
BORING

MANDRINI / ATTACCHI
CHUCKS & CLAMPING SYSTEM

RICAMBI E LAVORAZIONI SUPP.
SPARE PARTS & ADD. WORKING