

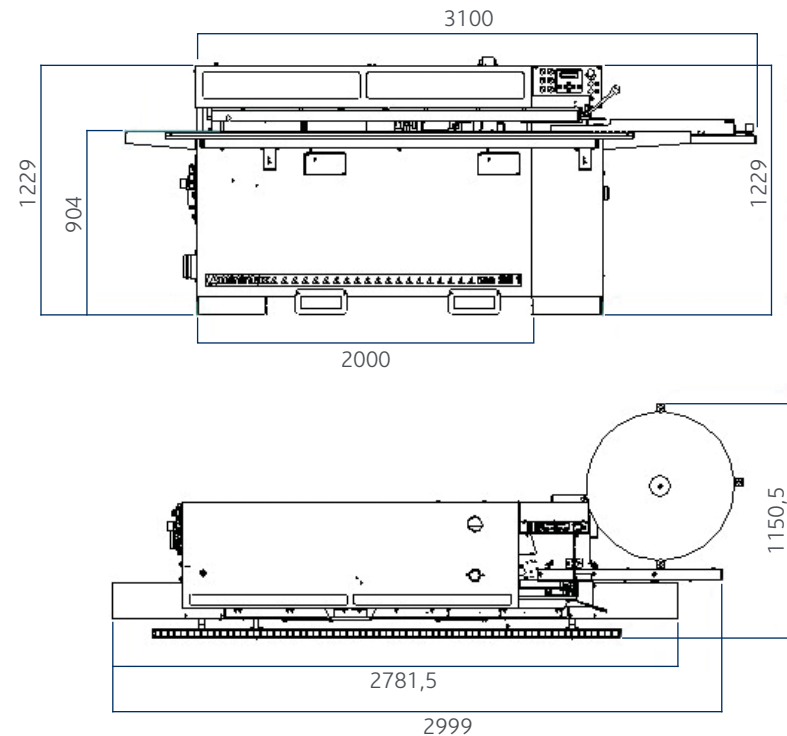
# minimax

## edge bander me 28t

Automatic edge bander with glue pot to edge band, with great flexibility, with melamine edges, PVC and ABS up to 3 mm and wooden strips up to 5 mm.



Worktable dimensions	mm	2800 x 570
Worktable height	mm	904
Thickness of rolled edges	mm	0,4 ÷ 3
Thickness of edges in strips	mm	5
Min. ÷ max. panel height	mm	12 ÷ 50
Min. panel length/width with rolled edges	mm	190 / 110
Feed speed	m/min	7
Feed motor power	kW	0,55
Pneumatic operating pressure	bar	6,5
Operating temperature	°C	20 ÷ 190
<b>premilling unit</b>		
Motor power	kW	2,2
Diamond cutter		Ø 80 mm Z2
Blade rotation speed	rpm	9.000
<b>glue pot unit</b>		
Motor power	kW	0,18
Glue capacity	kg	~ 0,8
<b>end cutting unit</b>		
Motor power	kW	0,37
Blade		Ø 90 mm Z20
Blade rotation speed	rpm	12.000
<b>trimming unit</b>		
Motor power	kW	0,75
Widia cutters		Ø 75 mm Z4
Cutters rotation speed	rpm	9.000
<b>other technical features</b>		
Exhaust outlet diameter (glue pot)	mm	60
Exhaust outlet diameter (base)	mm	120



## operating groups



### designed for a perfect finish

#### Panel Conveying Track.

The very best finishing of the panel edge is also guaranteed by the panel conveying track, which prevents the panel having the feed affected by the typical pulses generated by the pinion of a traditional feed track and ensures a smooth and linear panel movement.



### premilling unit

Panel edge surface without any imperfections before the gluing operation through the removal operation that corrects any panel imperfections caused by the saw cutting process and panel storage. The independent exhaust system ensures the panel cleaning removing dust and chips from the panel. No. 4 different thickness removals: 0,5 / 1 / 1,5 / 2 mm.



### simple and intuitive

#### Control System.

**Error-free machining** is ensured by the control panel positioned on the front of the machine, that allows an easy selection of all the main functions, among them, the operating units switching on and off. The PLC guides the operator during maintenance, cleaning, diagnostic operations, etc.



### ideal edge application

#### Gluing Unit.

The glue is heated rapidly and evenly by the resistances. **The automatic lowering of the glue temperature** after a temporary halt in production when using the machine avoids burning of the glue. A new **innovative system of self-lubrication of the glue pot**, allows a more extensive use of the edge banding machine without the necessity of lubrication. Two rollers press the edge banding evenly and efficiently on to the panel edge. The glue spreading roller with electrical resistance inside provides a uniform glue spread and always at the maximum working temperature even on panels at the maximum working height.

## optional operating groups



### ease-of-use

#### Automatic Loading for Edges in Strips.

The solid wood strips are automatically loaded and synchronized with the introduction of the panels into the machine.



### always precise when cutting

#### End Cutting Unit.

Absolute precision offered by the unit, with a cutter and an independent asynchronous.

### quality finishing and versatility

#### Trimming Unit.

The unit functions with slide copying to align perfectly to the work piece. These cutters are designed for straight or radius trimming of any type of edge, whether it is thick or thin, made of PVC, ABS, melamine, laminate or wood. The edge thickness is easily set by means of two numerical readouts.





perfect radius on pvc/abs edges

**Edge Scraping Unit.**

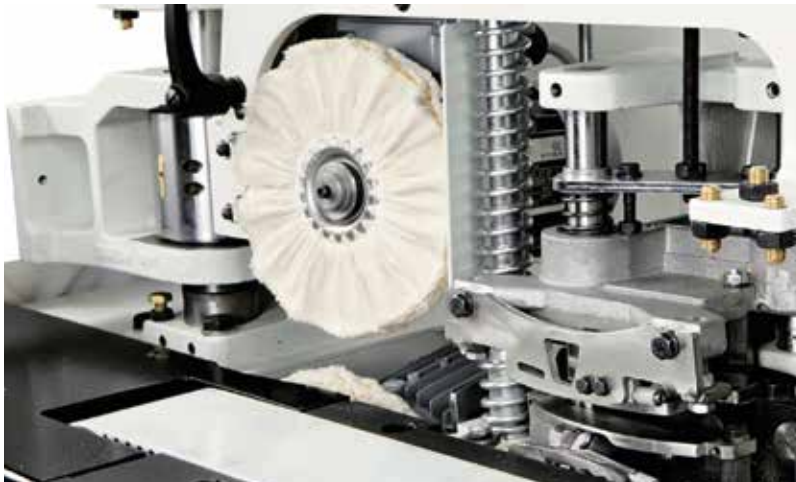
High finishing quality of plastic material edges thanks to the radius knives that ensure the complete elimination of any marks left from the trimming unit tools, all equipped with a front and vertical disc copiers, and a user-friendly device for exclusion of the unit when it is not in use.



perfect edge cleaning

**Glue Scraping unit.**

It eliminates any excess glue on the panel/edge joint.



optimal finishing

**Brushing Unit.**

With tilted, vertically adjustable motors to optimize the cleaning/polishing action on the panel edge.



SCM GROUP SPA - via Casale 450 - 47826 Villa Verucchio - Rimini - Italy  
+39 0541 674111 - scm@scmgroup.com - www.scmwood.com



*In this catalogue, machines are shown with options. We reserve the right to modify technical specifications without prior notice, provided that such modifications do not affect safety as per CE norms.*