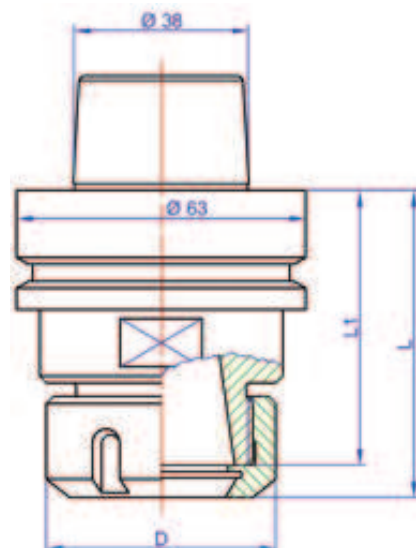


Tool holders Type HSK 63F DIN 69893

Collet chucks holders for Collets ER 16-25-32-40, ORT25 - TG

Code	Description	Collet Type	L1	L	D	Cap.
WF201	Collet chucks holders with nut	ER16	50	60	28	1/10
WF202	Collet chucks holders without nut	ER16	50			
WF239	Collet chucks holders with Lh nut	ER16	50	60	28	
WF240	Collet chucks holders without Lh nut	ER16	50			
WF202-L100	Collet chucks holders with nut	ER16	90	100	22	
WF202-L160	Collet chucks holders without nut	ER16	150	160	22	
WF203-L100	Collet chucks holders with nut	ER25	90	100	35	1/16
WF203-L160	Collet chucks holders without nut	ER25	150	160	35	
WF203	Collet chucks holders with nut	ER25	50	60	42	
WF205	Collet chucks holders without nut	ER25	50			
WF241	Collet chucks holders with Lh nut	ER25	50	60	42	
WF242	Collet chucks holders without Lh nut	ER25	50			
WF208-L100	Collet chucks holders with nut	ER32	87,5	100	50	1/20
WF208-L160	Collet chucks holders without nut	ER32	147,5	160	50	
WF204	Collet chucks holders with nut	ER32	60	72,5	50	
WF208	Collet chucks holders without nut	ER32	60			
WF214	Collet chucks holders with Lh nut	ER32	60	72,5	50	
WF216	Collet chucks holders without Lh nut	ER32	60			
WF222-L100	Collet chucks holders with nut	ER40	83,5	100	63	3/30
WF222-L160	Collet chucks holders without nut	ER40	143,5	160	63	
WF222	Collet chucks holders with nut	ER40	60	76,5	63	
WF224	Collet chucks holders without nut	ER40	60			
WF232	Collet chucks holders with Lh nut	ER40	60	76,5	63	
WF234	Collet chucks holders without Lh nut	ER40	60			
WF226	Collet chucks holders with nut	ORT25A	60	76,5	60	3/25
WF228	Collet chucks holders without nut	ORT25A	60			
WF236	Collet chucks holders with Lh nut	ORT25A	60	76,5	60	
WF238	Collet chucks holders without Lh nut	ORT25A	60			
WF204TG75	Collet chucks holders with nut	TG75		100		
WF204TG100	Collet chucks holders with nut	TG100		100		
WF204TG150	Collet chucks holders with nut	TG150		100		

For "SCM", "Biesse",
 "Essetre", "Masterwood",
 "Morbidelli", "Bulleri",
 "Sicar", "Weeke", "Busellato"



Special tool holders are made on request