

minimax ad 21

manual drilling machine



All “Made in SCM Italy”

From casting iron to finished product.

Come see our production plants and touch the quality of SCM machines;
you will be our guest.





minimax

the passion that deserves professional products.

minimax is the line of professional machines for hobbyists and woodworkers, a point of reference for over 40 years worldwide.

SCM's objective is to guarantee customers high quality technologies which meet their requirements in such a way as to make SCM the partner for any needs.

minimax ad 21

For all drilling requirements.

Single-head multi-drilling machine with 21 spindles.

Ideal solution for woodworking shops and demanding craftsmen.

drilling machine ad 21



		ad 21
Max. panel width under the bridge	mm	833
Worktable dimensions	mm	905 x 372
Worktable height	mm	900
Max. tool diameter	mm	40
Min.-max. panel height	mm	10 ÷ 85
Spindles speed rotation	rpm	2800
<i>Find the complete technical specification at page 7</i>		



Drilling Head
perfect drilling operation



Cleaning System
very high efficiency



Group for Hinges
high-tech devices

Single-head multi-drilling machine with 21 spindles. Ideal solution for woodworking shops and demanding craftsmen.

ad 21 operating groups



A perfect vertical, horizontal and at 45° drilling operation.



perfect drilling

Drilling Head.

Drilling head made from single-piece aluminium casting, to guarantee absence of vibrations. The drilling unit runs on two rectified cylindrical guides which guarantee stability and precision. The machine is equipped with a mechanical revolver with 5 different drilling depth adjustments. The **new dust extraction system is incredibly efficient**, and leaves the machine surprisingly clean!

The mechanical gauge guarantees fast and precise positioning of the lateral fences.

Bits replaced quickly and easily!
The machine has 21 quick-change chucks.



All controls are ergonomically positioned on the front of the machine. This includes the switch which sets the drilling head at a 45° angle, allowing for an immediate changeover between operations. For perfect drilling of large panels, the machine has a long 3000 mm fence with a scale and retractable stops. The fence is quickly mounted and removed easily.



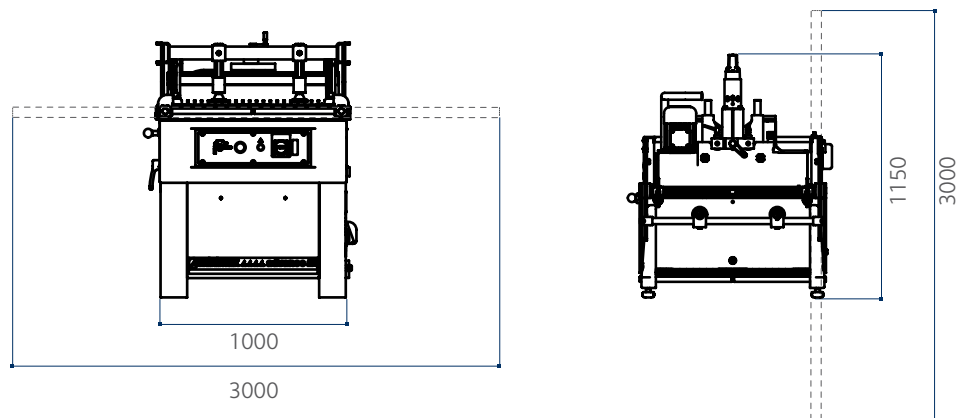
high-tech devices

Groups for Hinges.

For increased versatility, the quick-change chucks can be fitted with various types of bits for different operations, like drilling hinges locations.



ad 21 dimensions and technical data



		ad 21
Worktable dimensions	mm	905 x 372
Worktable height	mm	900
Spindles number		21
Spindles centre-to-centre	mm	32
Maximum tool diameter	mm	40
Maximum drilling centre-to-centre	mm	640
Max. height of horizontal drilling operation	mm	60
Spindle speed	rpm	2800
Min./max. panel thickness	mm	10/85
Max. panel width under the bridge	mm	833
Max. drilling head stroke	mm	70
Drilling head motor power	kW	1,8
Pneumatic system operating pressure	bar	6
Air consumption	Nl/cycle	3,5
Exhaust outlets diameter	mm	80

PROMPT AND EXPERT TECHNICAL SUPPORT THROUGH A NETWORK OF 1000 TECHNICIANS AND AN INVENTORY OF 36,000 SPARE PARTS.

HIGHLY SPECIALISED TECHNICIANS, EFFICIENT
MANAGEMENT AND 6 SPARE PARTS BRANCHES
AROUND THE WORLD GUARANTEE A CLOSE,
SAFE AND EFFECTIVE TECHNICAL SUPPORT.

SERVICE

SCM provides a service that goes beyond the purchase, to guarantee the long term performance of your technological production system and peace of mind for your business.

A COMPLETE RANGE OF AFTER-SALES SERVICES

- installation and start-up of machines, cells, lines and systems
- tailored training programs
- telephone support to reduce times and costs when machines are not working
- preventive maintenance programs to guarantee long term performance
- complete renovation of machines and plants to renew the added value of the investments
- custom upgrading to update machines and plants and meet new production requirements



SPARE PARTS

SCM Group can count on 140 spare parts professionals worldwide to meet any request with real time shipments.



36,000 SPARE PARTS

Our spare parts inventory, with a value of 12 million euros, covers every single machine



SPARE PARTS GUARANTEED

We guarantee also hard to find parts, with 3,5 million euros invested in "critical" spare parts.



IMMEDIATE AVAILABILITY

Over 90% of orders received are carried out the same day thanks to the huge inventory available.



6 BRANCHES AROUND THE WORLD

The spare parts service can count on worldwide support (Rimini, Singapore, Shenzhen, Moscow, Atlanta, São Bento do Sul)



500 SHIPMENTS A DAY



THE STRONGEST WOOD TECHNOLOGIES ARE IN OUR DNA

SCM. A HERITAGE OF SKILLS IN A UNIQUE BRAND

Over 65 years of success gives SCM the centre stage in woodworking technology. This heritage results from bringing together the best know-how in machining and systems for wood-based manufacturing. SCM is present all over the world, brought to you by the widest distribution network in the industry.

65 years history

3 main production sites in Italy

300.000 square metres of production space

20.000 machines manufactured per year

90% export

20 foreign branches

400 agents and dealers

500 support technicians

500 registered patents



In SCM's DNA also strength and solidity of a great Group. The SCM Group is a world leader, manufacturing industrial equipment and components for machining the widest range of materials.

SCM GROUP, A HIGHLY SKILLED TEAM EXPERT IN INDUSTRIAL MACHINES AND COMPONENTS

INDUSTRIAL MACHINERY

Stand-alone machines, integrated systems and services dedicated to processing a wide range of materials.



WOODWORKING TECHNOLOGIES



TECHNOLOGIES FOR PROCESSING COMPOSITE MATERIALS, ALUMINIUM, PLASTIC, GLASS, STONE, METAL

INDUSTRIAL COMPONENTS

Technological components for the Group's machines and systems, for those of third-parties and the machinery industry.



SPINDLES AND TECHNOLOGICAL COMPONENTS



ELECTRIC PANELS



METALWORK



CAST IRON



Company of the Scm Group

registered office:

via Emilia, 77
47921 Rimini, Italia
T. +39 0541 700111
F. +39 0541 700232

sales office:

via Casale, 450
47826 Villa Verucchio, Rimini, Italia
T. +39 0541 674111
F. +39 0541 674274
scm@scmgroup.com
www.scmwood.com

Scm Industria Spa

Professional Workshop Machinery

via Valdicella, 7
47892 Gualdicciolo,
Repubblica di San Marino
scm@scmgroup.com

sales dept. Italy:

T. +378 0549 876911
F. +378 0549 999604

foreign sales dept.:

T. +39 0541 674111
F. +39 0541 674274
www.scmwood.com

The motors powers in this catalogue are expressed in S6, except where otherwise specified. In this catalogue, machines are shown in CE configuration and with options. We reserve the right to modify technical specifications without prior notice, provided that such modifications do not affect safety as per CE norms.

rev.00
02/2020

Mic Studio





SCM GROUP SPA

via Casale 450 - 47826 Villa Verucchio, Rimini - Italy
tel. +39 0541 674111 - fax +39 0541 674274
scm@scmgroup.com
www.scmwood.com