



Svasatori componibili



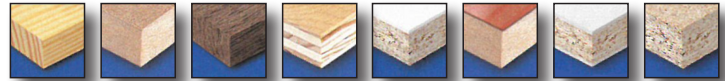
HW Aufstecksenker



Fraisoir

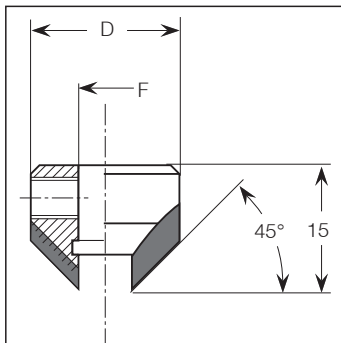
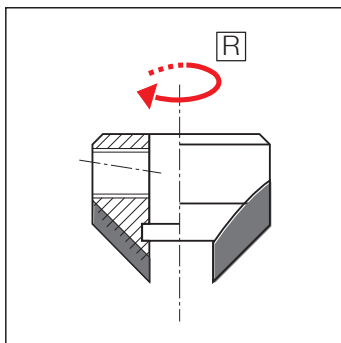


Зенкеры

TAGLIO / SEZIONATURA  
SAWING**P070****HW Countersinks**

Ottenuti da acciaio di elevata resistenza meccanica • 2 taglienti in HW • Fissaggio mediante vite • Da montare su punte componibili art. P050 – P054 – P060 – P064 e punte foratrici P414 – P614 • Indicati per svasare fori su legno, suoi derivati, laminati e simili

Obtained from steel with a high mechanical resistance • 2 Carbide teeth • Fixing by means of a screw • To mount on dowel drills and through hole dowel drills P050-P054-P060 and P414-P614 • Indicated to make bevelled holes on solid wood, wood composites, laminated panels and similar.

DIAMANTE  
DIAMONDFRESATURA  
CUTTINGPANTOGRAFATURA  
ROUTINGFORATURA  
BORINGMANDRINI / ATTACCHI  
CHUCKS & CLAMPING SYSTEMRICAMBI E LAVORAZIONI SUPP.  
SPARE PARTS & ADD. WORKING**Z2**

● = Ready in stock ■ = Delivery time 20 working days △ = On request

| F     | D  | Left Code      | Right Code     |
|-------|----|----------------|----------------|
| 4     | 14 | ● P070M04AAAAL | ● P070M04AAAAR |
| 5     | 16 | ● P070M05AAAAL | ● P070M05AAAAR |
| 6     | 16 | ● P070M06AAAAL | ● P070M06AAAAR |
| 7     | 18 | ● P070M07AAAAL | ● P070M07AAAAR |
| 8     | 18 | ● P070M08AAAAL | ● P070M08AAAAR |
| 9     | 20 | ● P070M09AAAAL | ● P070M09AAAAR |
| 10    | 20 | ● P070M10AAAAL | ● P070M10AAAAR |
| 12    | 22 | ● P070M12AAAAL | ● P070M12AAAAR |
| Spec. |    | P070M99L       | P070M99R       |

■ Utensili non a magazzino, quantità minima d'ordine: **20 pezzi.**  
Tools not ready in stock minimum order quantity: **20 pieces.**

SPARE PARTS

| Type            | Dimensions | Code    |
|-----------------|------------|---------|
| Screw (D.4–10)  | M5X5       | ● WVGR5 |
| Screw (D.12–14) | M6X6       | ● WVGR6 |