

TESTA CON COLTELLINI PER INCASTRINI REGISTRABILI ADJUSTABLE CUTTERHEAD WITH REVERSIBLE KNIVES FOR GROOVES WENDEPLATTEN-VERSTELLNUTER



STEEL BODY



Testa con coltellini e rasanti in HM reversibili per eseguire incastrini sottili di precisione (da 4 a 15 mm). L'utensile viene fornito completo di anelli distanziali. L'elemento centrale (tipo B) a due taglienti, monta coltelli standard da 7,65x12x1,5 mm.

Cutterhead with HM reversible knives and spurs for making thin precision grooves (from 4 to 15 mm), adjustable by means of spacing rings. The central element (type B) fits two standard disposable knives of 7,65x12x1,5 mm. Spacing rings are included.

Zum universellen, präzisen Nuten in Massivholz und Plattenwerkstoffen, hervorragend bei abrasiven Werkstoffen mit starker Werkzeugbeanspruchung, 4 bis 15 mm. Inkl. Zwischenringe.

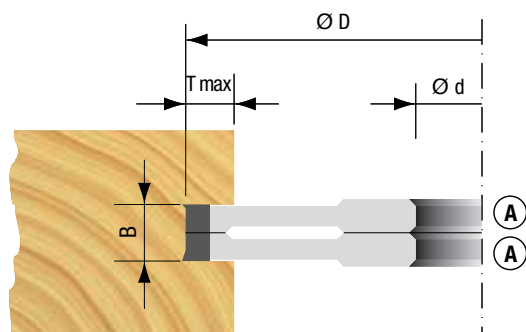
Zentrales Werkzeug (Typ B) mit zwei standard-Messer 7,65x12x1,5 mm.

TH23TM										Ricambi / Spare Parts / Ersatzteile								
Type	Ø D [mm]	B [mm]	Ø d [mm]	Z	V	T max [mm]	RPM min-max	Art. Nr.	€									
A	140	4 - 7,5	30	4	4	32	5500 - 9400	TH23TM15030	•	600301		500401	501101			600202	500401	501001
A	140	4 - 7,5	31,75	4	4	32	5500 - 9400	TH23TM15031	•	600301		500401	501101			600202	500401	501001
A	140	4 - 7,5	35	4	4	32	5500 - 9400	TH23TM15035	•	600301		500401	501101			600202	500401	501001
B	140	7,65	30	2	-	32	5500 - 9400	TH23TM20030	•		600001			350021	502403			
B	140	7,65	31,75	2	-	32	5500 - 9400	TH23TM20031	•		600001			350021	502403			
B	140	7,65	35	2	-	32	5500 - 9400	TH23TM20035	•		600001			350021	502403			
A+B	140	4 - 15	30	4 + 2	4	32	5500 - 9400	TH23TM30030	•	600301	600001	500401	501101	350021	502403	600202	500401	501001
A+B	140	4 - 15	31,75	4 + 2	4	32	5500 - 9400	TH23TM30031	•	600301	600001	500401	501101	350021	502403	600202	500401	501001
A+B	140	4 - 15	35	4 + 2	4	32	5500 - 9400	TH23TM30035	•	600301	600001	500401	501101	350021	502403	600202	500401	501001
A	160	4 - 7,5	40	4	4	35	4800 - 8200	TH23TM25040	•	600301		500401	501101			600202	500401	501001
A	160	4 - 7,5	50	4	4	35	4800 - 8200	TH23TM25050	•	600301		500401	501101			600202	500401	501001
B	160	7,65	40	2	-	35	4800 - 8200	TH23TM35040	•		600001			350021	502403			
B	160	7,65	50	2	-	35	4800 - 8200	TH23TM35050	•		600001			350021	502403			
A+B	160	4 - 15	40	4 + 2	4	35	4800 - 8200	TH23TM50040	•	600301	600001	500401	501101	350021	502403	600202	500401	501001
A+B	160	4 - 15	50	4 + 2	4	35	4800 - 8200	TH23TM50050	•	600301	600001	500401	501101	350021	502403	600202	500401	501001
A	180	4 - 7,5	30	8	4	37	4200 - 7300	TH23TM05030	•	600301		500401	501101			600202	500401	501001
A	180	4 - 7,5	31,75	8	4	37	4200 - 7300	TH23TM05031	•	600301		500401	501101			600202	500401	501001
A	180	4 - 7,5	35	8	4	37	4200 - 7300	TH23TM05035	•	600301		500401	501101			600202	500401	501001
A	180	4 - 7,5	40	8	4	37	4200 - 7300	TH23TM05040	•	600301		500401	501101			600202	500401	501001
A	180	4 - 7,5	50	8	4	37	4200 - 7300	TH23TM05050	•	600301		500401	501101			600202	500401	501001
B	180	7,65	30	2	-	37	4200 - 7300	TH23TM10030	•		600001			350021	502403			
B	180	7,65	31,75	2	-	37	4200 - 7300	TH23TM10031	•		600001			350021	502403			
B	180	7,65	35	2	-	37	4200 - 7300	TH23TM10035	•		600001			350021	502403			
B	180	7,65	40	2	-	37	4200 - 7300	TH23TM10040	•		600001			350021	502403			
B	180	7,65	50	2	-	37	4200 - 7300	TH23TM10050	•		600001			350021	502403			
A+B	180	4 - 15	30	8 + 2	4	37	4200 - 7300	TH23TM40030	•	600301	600001	500401	501101	350021	502403	600202	500401	501001
A+B	180	4 - 15	31	8 + 2	4	37	4200 - 7300	TH23TM40031	•	600301	600001	500401	501101	350021	502403	600202	500401	501001
A+B	180	4 - 15	35	8 + 2	4	37	4200 - 7300	TH23TM40035	•	600301	600001	500401	501101	350021	502403	600202	500401	501001
A+B	180	4 - 15	40	8 + 2	4	37	4200 - 7300	TH23TM40040	•	600301	600001	500401	501101	350021	502403	600202	500401	501001
A+B	180	4 - 15	50	8 + 2	4	37	4200 - 7300	TH23TM40050	•	600301	600001	500401	501101	350021	502403	600202	500401	501001

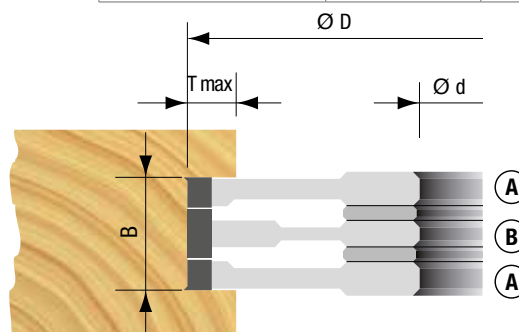
• Disponibile a magazzino / Ready from stock / Ab Lager lieferbar

Combinazioni possibili
Cutterhead combinations
Fräse-Kombinationen

Set	Ø D [mm]	B [mm]	Art. Nr.
TH23TM30	140	4 ÷ 15	TH23TM15 + TH23TM20
TH23TM50	160	4 ÷ 15	TH23TM25 + TH23TM35
TH23TM40	180	4 ÷ 15	TH23TM05 + TH23TM10



TH23TM15 / TH23TM25 / TH23TM05



TH23TM30 / TH23TM50 / TH23TM40

