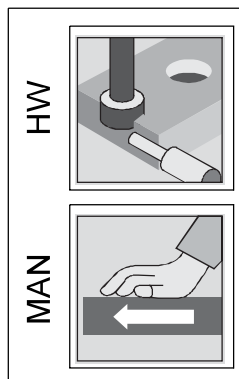
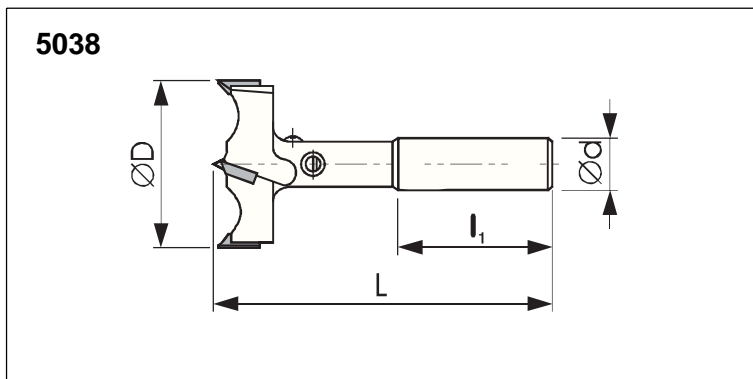


SUKOVNÍKY S VÁLCOVOU STOPKOU
 KNOTTING DRILLS WITH CYLINDRICAL SHANK
 ZYLINDERKOPFBOHRER MIT ZYLINDERSCHAFT

5038



Typ 5038

D (mm)	L (mm)	l ₁	z	d (mm)	D (mm)	L (mm)	l ₁	z	d (mm)
15	110	50	2+2	16	45	110	50	2+2	16
20	110	50	2+2	16	50	110	50	2+2	16
25	110	50	2+2	16					
30	110	50	2+2	16					
35	110	50	2+2	16					
40	110	50	2+2	16					

D	n _{max}
15 - 50 mm	6 000 - 10 000 min ⁻¹

Typ 5038.1

D (mm)	L (mm)	l ₁	z	d (mm)	D (mm)	L (mm)	l ₁	z	d (mm)
15	140	50	2+2	13	45	140	50	2+2	13
20	140	50	2+2	13	50	140	50	2+2	13
25	140	50	2+2	13					
30	140	50	2+2	13					
35	140	50	2+2	13					
40	140	50	2+2	13					

Typ 5038.2

D (mm)	L (mm)	l ₁	z	d (mm)	D (mm)	L (mm)	l ₁	z	d (mm)
15	90	28	2+2	10	40	90	28	2+2	10
20	90	28	2+2	10					
25	90	28	2+2	10					
30	90	28	2+2	10					
34	90	28	2+2	10					
35	90	28	2+2	10					

